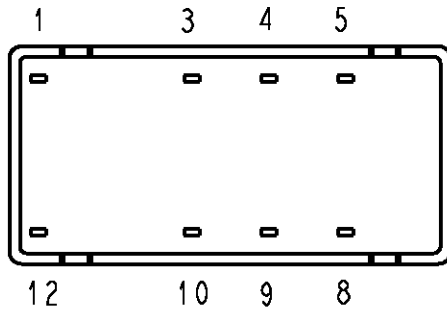
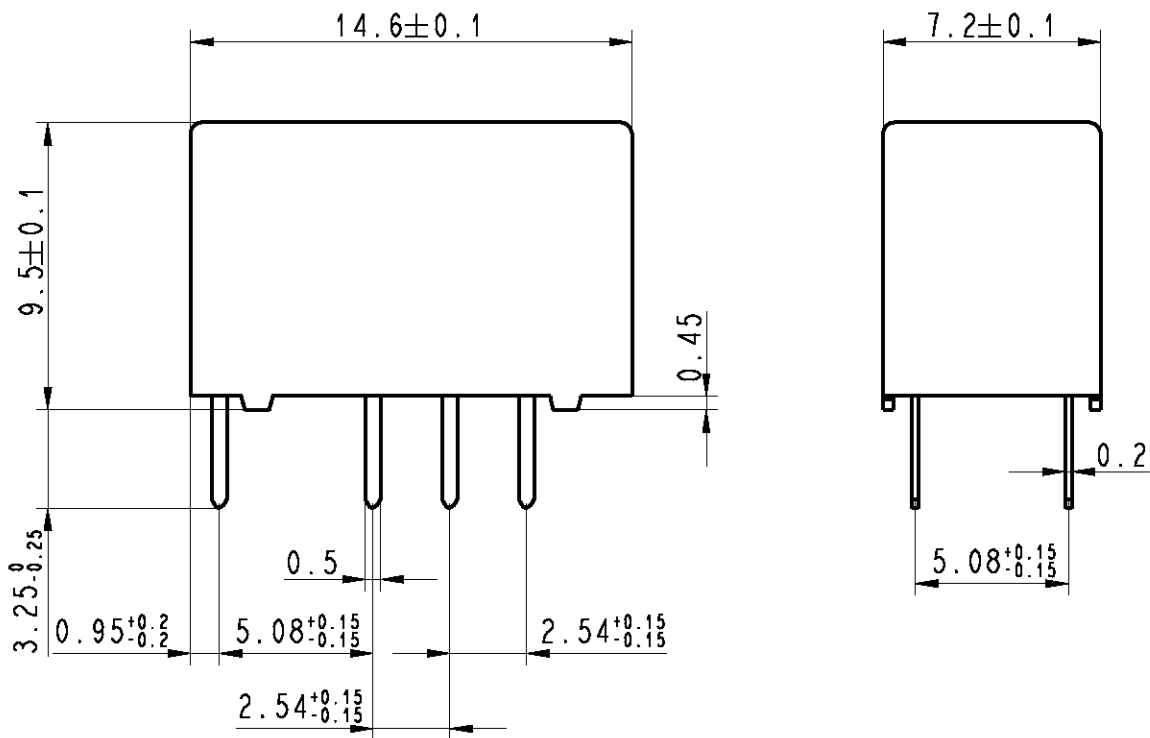


LOC	DIST	REVISIONS					
HJ	-	P	LTR	DESCRIPTION	DATE	DWN	APVD
			C2	REVISED PER ECO-11-005150	25MAR11	RK	HMR



Relay - bottom view



AXICOM E040001
P2 YYWD
V23079-A20xx-B301

xx = Relay type
YYWD = Date code

DRAWING ALIAS C23303-A079-A001

RELEASED FOR PUBLICATION

ALL RIGHTS RESERVED.

THIS DRAWING IS UNPUBLISHED.

BY -
© COPYRIGHT

DIMENSIONS: mm	DWN	Korytak	02Jun2004	MATERIAL	-	FINISH	-
	CHK	Korytak	02Jun2004	TE Connectivity			
TOLERANCES UNLESS OTHERWISE SPECIFIED: DIN 7168-m	APVD	Korytak	02Jun2004				
0 PLC ±-	PRODUCT SPEC	NAME P2-Relay THT Dimensions					
1 PLC ±	-						
2 PLC ±	APPLICATION SPEC	SIZE CAGE CODE DRAWING NO RESTRICTED TO A4 00779 C-1393789-2 -					
3 PLC ±	-						
4 PLC ±	WEIGHT	CUSTOMER DRAWING SCALE 4:1 SHEET 1 OF 1 REV C2					
ANGLES ±-	-						